

Z6 PA-101TPC-B3

10.1" Industrial Panel PC Intel® Celeron® or Core processor



Characteristic

- ◆ Adopt 10.1" TFT LED panel
- ◆ High quality resistive touch screen
- ◆ Intel® Celeron® or Core processor
- ◆ The system memory supports up to 8 GB DDR3L SDRAM
- ◆ Full metal shell, anti-electromagnetic interference
- ◆ Supports full-size Mini PCIe expansion
- ◆ Supports USB 3.0
- ◆ Support for Windows Embedded and Linux
- ◆ Support VESA 75

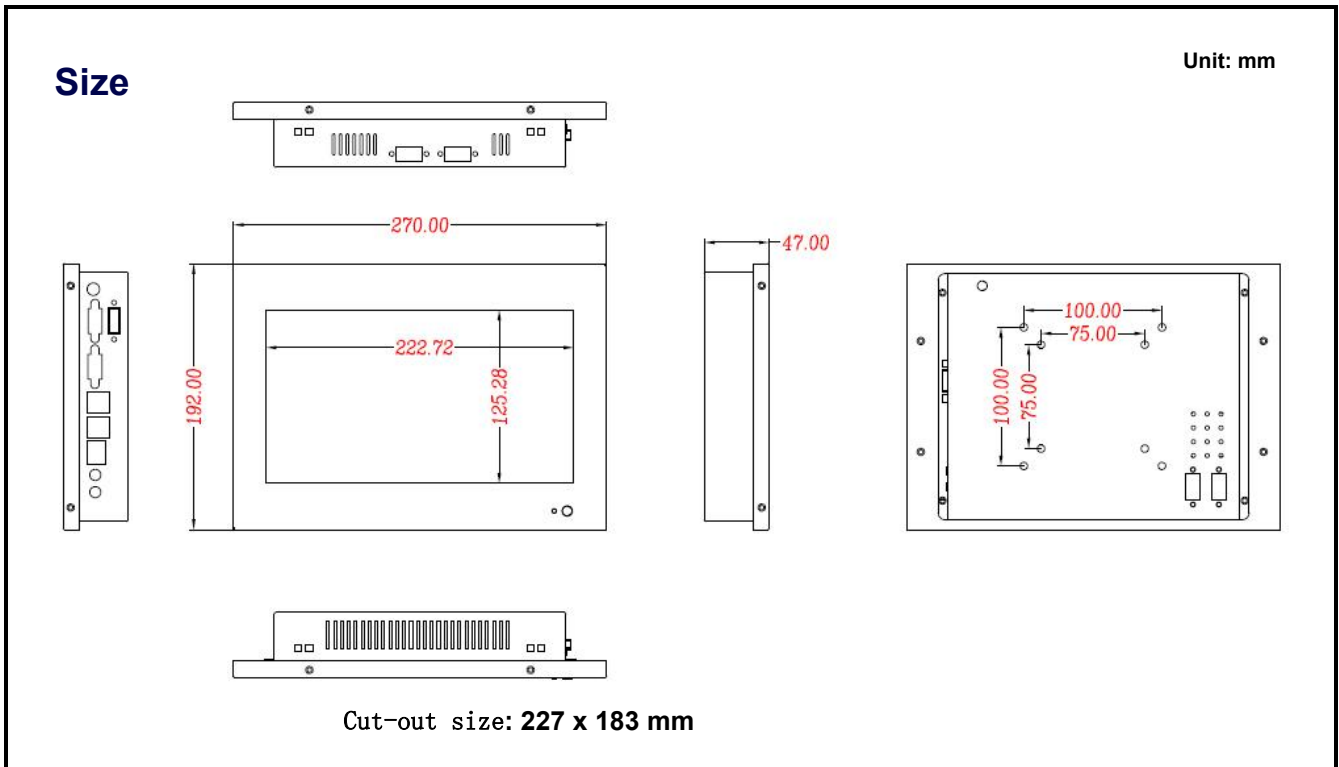
Overview

This product is a cost-effective LCD industrial panel computer, which can choose Intel® Celeron® or Core processor, and the compact embedded system can provide high-performance computing. High durability design, front panel protection level IP65, high temperature five-wire resistive touch screen, supports multiple interfaces to meet various industrial applications.

Specification

Processor	CPU	Intel® Celeron® J1800 (Optional J1900/3855u/i3/i5/i7)
	Frequency	2.41GHz (The choice of CPU will vary)
	L2 cache	1MB (The choice of CPU will vary)
	Memory	1 x SO-DIMM, DDR3L 1333, Maximum support 8 GB
	Storage	1 x mSATA Bay
	Network (LAN)	1 x 10/100/1000 Mbps Ethernet
	I/O Interface	The J1800/J1900/3855U comes standard with 3 x RS232 and the i3/i5/i7 with 2 x RS232 as standard
	Expand	1 x Full-size Mini PCIe slot
	watchdog timer	255 levels
Physical properties	Size	270 x 192 x 47mm
	Weight	1.75 Kg
OS	Operating system	Windows 7 32bit&64bit / Windows 8.1 32bit&64bit Windows 10 32bit&64bit/WES7/Linux
Power consumption	Input voltage	12 Vdc
	Power consumption	18~25W (Different CPUs have slightly different power consumption)
LCD display	Display type	10.1" TFT LCD (LED Backlight)
	Resolution	1024 x 600
	angle of view	45(left), 45(right), 15(top), 35(bottom)
	brightness(cd/m2)	200
	contrast	400
	Backlight life	10,000 hours (Min.)
Touch screen	Type	Resistive touch screen
	Transmittance	80±5% at 550 nm wavelength
	controller	USB interface
	Durability (number of touches)	≥ 5 million times
Environment	Operating temperature	0 ~ 50°C with SSD 0 ~ 40°C with HDD
	Storage temperature	-20 ~ 60°C
	Relative humidity	10 ~ 95% @ 40°C (non-condensing)
	EMC	CCC , CE
	Safety	CCC
	Front panel protection	no

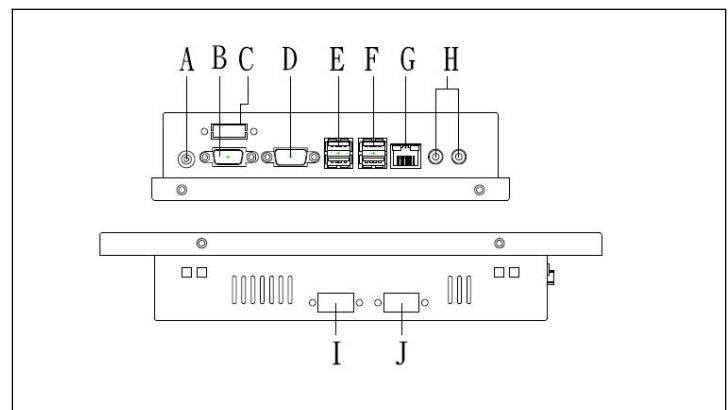
Z6 PA-101TPC-B3



Ordering Information

Part No	Description
Z6 PA-101TPC-B3 (J18)	Intel Celeron J1800 processor
Z6 PA-101TPC-B3 (J19)	Intel Celeron J1900 processor
Z6 PA-101TPC-B3 (385)	Intel Celeron 3855u processor
Z6 PA-101TPC-B3 (I3)	Intel Core i3 processor (optional 4th/6th generation)
Z6 PA-101TPC-B3 (I5)	Intel Core i5 processor (optional 4th/6th generation)
Z6 PA-101TPC-B3 (I7)	Intel Core i7 processor (optional 4th/6th generation)
Z6 PA-ARM-1	VESA standard wall mount
Z6 PA-ACW-1	2.4G WIFI module with antenna
Z6 PA-ACW-2	5G dual-band WIFI module with antenna

J1800/J1900/3855u I/O Interface



- | | |
|-----------------------------|---------------------|
| A. DC-In | G. RJ45 LAN |
| B. VGA | H. AUDIO_Out&MIC_IN |
| C. backup | I. COM3(RS-232) |
| D. COM1(RS-232) | J. COM2(RS-232) |
| E. 1 x USB 2.0, 1 x USB 3.0 | |
| F. 2 x USB 2.0 | |

note: i3/i5/i7 configurations increase HDMI*1 and reduce COM3