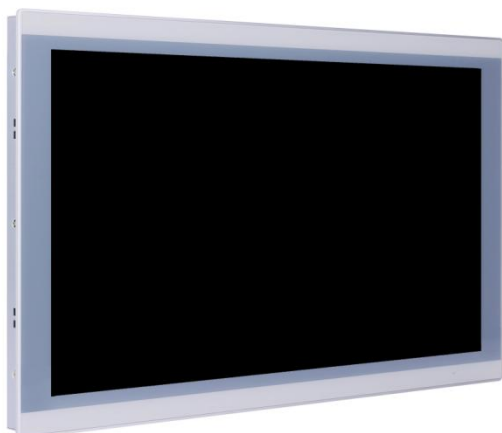


A17-PA-215TPC-CE5A

21.5" Industrial Panel PC

Intel® Celeron® or Core processor



Characteristic

- 21.5" TFT LED panel
- High temperature five-wire resistive touch screen
- Optional Intel Celeron or Core processor
- Aluminum alloy case, compact fanless design
- Front panel protection grade IP65
- Supports full-size Mini PCIe expansion
- Supports USB 3.0
- Support Windows Embedded and LINUX
- Support VESA 75

Overview

This product is a cost-effective LCD industrial panel computer, which can choose Intel® Celeron® or Core processor, and the compact embedded system can provide high-performance computing. High-durability design, front panel protection level IP65, high-temperature five-wire resistive touch screen, supports multiple interfaces to meet various industrial applications.

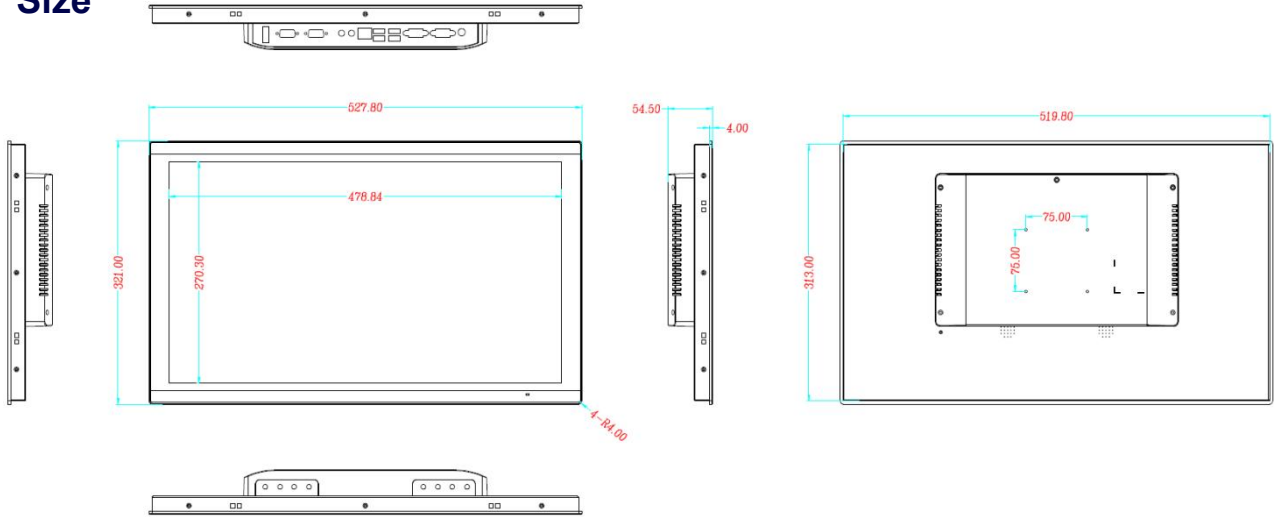
Spec

Processor	CPU	Intel® Celeron® J1900
	frequency	2.00GHz
	L2 cache	2MB
	Memory	1 x SO-DIMM, DDR3L 1333, up to 8 GB
	Storage	1 x 2.5" SATA Bay, 1 x mSATA Bay
	Network (LAN)	1 x 10/100/1000 Mbps Ethernet
	I/O connector	3 x RS232
	Expand	1 x Full-size Mini PCIe slot
	Watchdog timer	255 levels
Physical properties	Size	527.8 x 321 x 54.5 mm
	Weight	5.7 Kg
OS	Operating system	Windows 7 32bit&64bit / Windows 8.1 32bit&64bit Windows 10 32bit&64bit/WES7/Linux
Power consumption	Input voltage	12 Vdc
	Power consumption	28W
LCD display	Display type	21.5" TFT LCD (LED backlight)
	Resolution	1920 x 1080
	Angle of view	80 (left), 80 (right), 80 (top), 80 (bottom)
	Brightness (cd/m2)	250
	Contrast	1000
	Backlight life	30,000 hours (Min.)
Touch screen	Types	High temperature five-wire resistive touch screen
	Transmittance	80±5% at 550 nm wavelength
	Controller	USB interface
	Durability	≥35 million times
Environment	Operating temperature	0 ~ 50°C with SSD 0 ~ 40°C with HDD
	Storage temperature	-20 ~ 60°C
	Relative humidity	10 ~ 95% @ 40°C (non-condensing)
	EMC	CCC
	Safety	CCC
	Front panel protection	IP65 standard

A17-PA-215TPC-CE5A

unit: mm

Size

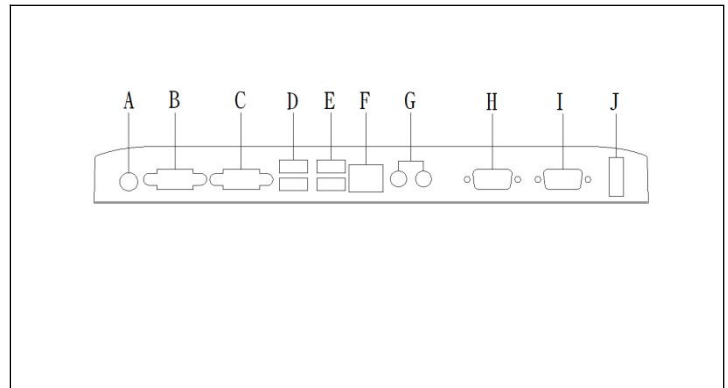


开孔尺寸: 522*315

Ordering Information

Part No	Description
PA-215TPC-CE5A(19)	Intel Celeron J1900
PA-215TPC-CE5A(64)	Intel Celeron J6412
PA-215TPC-CE5A(I3)	Intel Core i3 CPU(Optional 3/4/6 th Gen)
PA-215TPC-CE5A(I5)	Intel Core i5 CPU(Optional 3/4/6 th Gen)
PA-215TPC-CE5A(I7)	Intel Core i7 CPU(Optional 3/4/6 th Gen)
PA-ARM-1	VESA standard wall mount bracket
PA-ACW-1	WIFI module with antenna
PA-ACW-2	Full Netcom 4G data communication module with antenna
*For other configurations, please contact the business specialist for consultation!	

J1900 I/O Interfaces



- | | |
|-----------------------------|-----------------|
| A. DC-In (12V) | F. RJ45 LAN |
| B. VGA | G. AUDIO |
| C. COM1(RS-232) | H. COM2(RS-232) |
| D. 1 x USB 2.0, 1 x USB 3.0 | I. COM3(RS-232) |
| E. 2 x USB 2.0 | J. POWER_SW . |

*There may be differences in other configuration I/O interfaces, please contact the business specialist for confirmation !