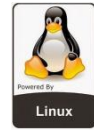


Partaker I31 Industrial PC



Feature

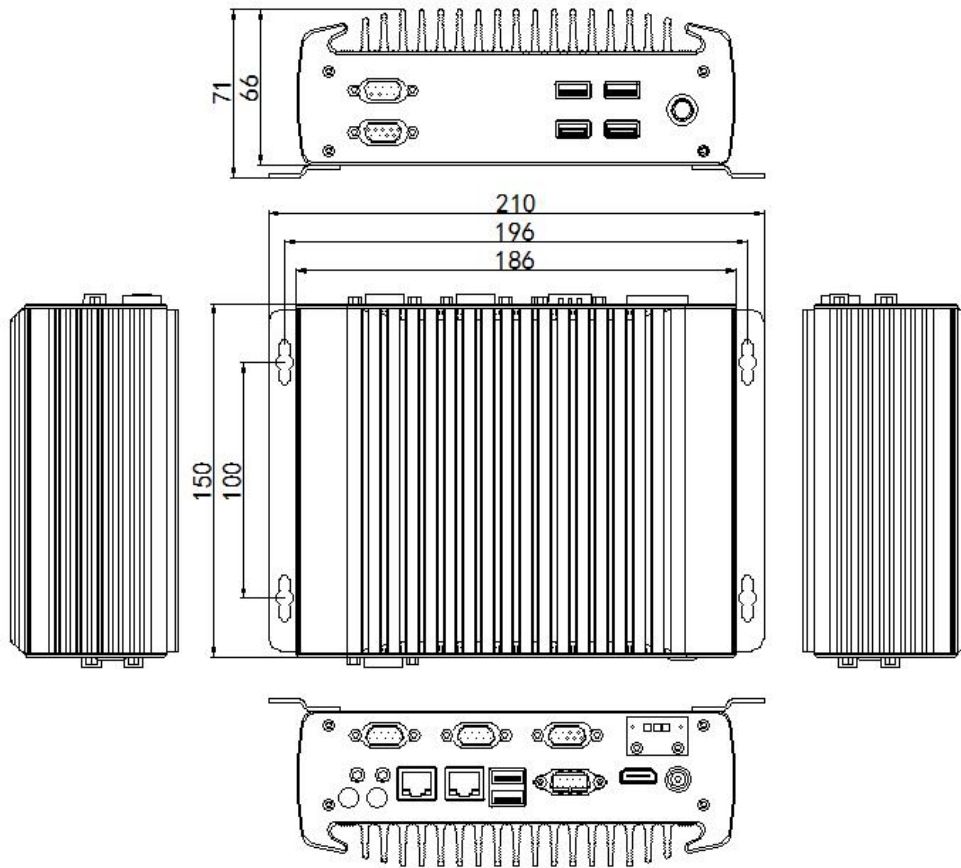
Fanless Pure Aluminum;
 Support Intel Celeron J1900 Quad Core;
 Max: DDR3L 8G;
 Support 1*MSATA,1*2.5" SATA;
 Support 1*Mini PCIE;
 Support 6*COM (COM1、COM2,RS232/485
 Optional);
 Applied OS:



Specification

Model	Partaker I31
Color	Silver (any color can be customized)
Material	Fanless Pure Aluminum
Processor	Onboard Intel Celeron J1900 (Quad Core,1.99 GHz,TDP:10W)
RAM	Support 1*DDR3L 1333/1600MHz SODIMM,Max:8GB
BIOS	AMI UEFI BIOS
Display Chip	Integrated Intel HD Graphics
Display Port	1*HDMI, 1*Internal LVDS socket (Support synchronous and asynchronous dual display)
Front I/O	4*USB2.0,2*COM,1*Power Switch
Rear I/O	1*USB3.0,1*USB2.0,4*COM (COM1, COM2, RS232/485 Optional), 2*Intel i211-AT 1000M LAN,1*HDMI,1*DC12V,1*Mic,1*Line Out
Expansion Slot	Support 1*MINI PCIE (Support MSATA)
	Support 1*MINI PCIE (WIFI/3G/4G Optional),Embedded Sim Slot
LAN	2*Intel i211-AT 1000M LAN
Storage	Support 1*MSATA,1*2.5" SATA3.0
WDT	Support Reset (0~255 second)
Power Supply	Support DC 12V Input
Work Temp	0°C ~ +50°C (HDD), -10°C ~ +60°C (SSD)
Work Humidity	5% ~ 95% Non-condensing
Dimension	186 * 150 * 66 mm 【Not include wall bracket】
Weight	1.6 kg 【Not include wall bracket】

Partaker I31 Drawing



Applications:

Automation, Medical, Transportation, Warehouse, Electric Education etc.

Accessory		
Name	Quantity	Specification
Power Adapter	1	12V 4A/5A
Power Cord	1	Any Plug is optional (Chinese, British, USA standard etc)
Driver CD	1	Neutral
Mount Bracket	2	Standard Wall Mount
HDMI to VGA Cable	1	HDMI to VGA Cable 【Standard】

Order Information			
Configuration 1	I31	Intel Celeron J1900	Standard Port