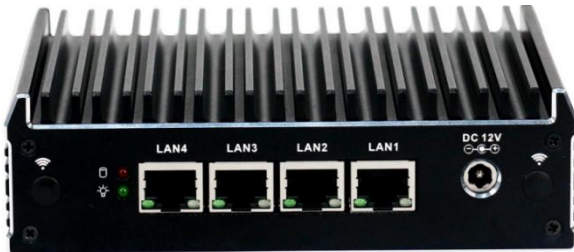


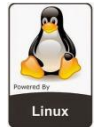
Partaker C3

Intel® Celeron® J3160 Quad-Core Processor
micro soft router



Features:

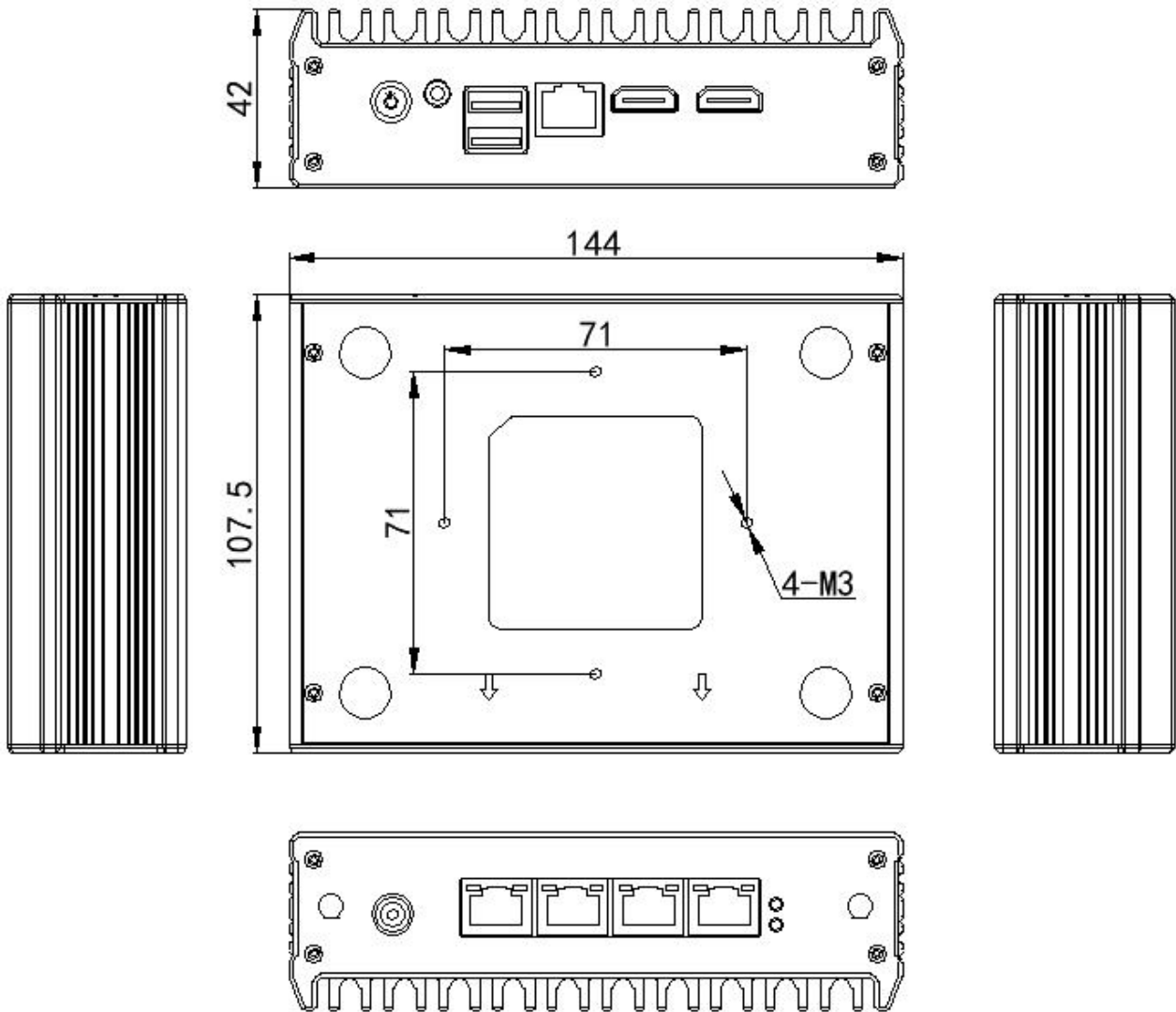
- ◇ Mini fanless all-aluminum alloy chassis;
- ◇ Onboard Intel Celeron J3160 quad-core processor;
- ◇ Support DDR3L 1600 8G memory;
- ◇ Support 2 MINI PCI-E slots;
- ◇ Support 2 HDMI high-definition display interfaces;
- ◇ Support 4 Intel Gigabit Ethernet ports;
- ◇ Applicable system:



Product Specifications

Model	Partaker C3
Color	Black (color can be customized)
Material	High-quality all-aluminum alloy, hard anodized surface
Processor	Intel Celeron J3160 (quad-core, four-thread, main frequency 1.6 GHz, up to 2.24 GHz)
Memory	Support 1 DDR3L 1600MHz SODIMM memory slot, up to 8 GB
Graphic	Integrated Intel HD Graphics core graphics card
Display Port	2 HDMI high-definition display interfaces (support synchronous/asynchronous dual display)
Front I/O Ports	1 power switch, 1 audio two-in-one interface, 2 USB3.0, 1 RJ45 serial port (Console) 2 HDMI high-definition display interfaces
Rear I/O ports	4 RJ45 network ports, 1 DC interface
Expansion	Support 1 MINI PCIE slot (support WIFI/Bluetooth with USB signal) Support 1 MINI PCIE slot (support MSATA)
Network	4 Intel i211-AT / i210-AT Gigabit Ethernet ports
Storage	1 x MSATA, 1 x 2.5 inch SSD/HDD
Input voltage	Support DC 12V input
Function	Power-on boot, scheduled boot, wake-up on LAN, PXE boot, watchdog (level 0~255)
Operating temp	0°C ~ +50°C (commercial HDD), -20°C ~ +50°C (industrial SSD), surface air flow
Humidity	5% ~ 95% non-condensed state
Certification	CE, FCC, ROHS
Size	144 * 107.5 * 42 mm
Weight	0.62 kg
Application	Business office, home learning, routers, network security and other fields

Partaker C3 Product Five Views



Packing List

Name	QTY	Item
Adapter	1	Optional 12V 5A/ 12V 4A
Power Code	1	US, EU, UK, AU etc
Certificate	1	Neutral
Warranty Card	1	Neutral
Mount VESA	1	Suitable for standard back hanging

Optional information

Configuration 1	C3	Intel Celeron J3160	Standard interface, 4 network ports, 2 USB
-----------------	----	---------------------	--