

Partaker C9

Intel 10th generation Core™ i3/i5/i7
processor



Features:

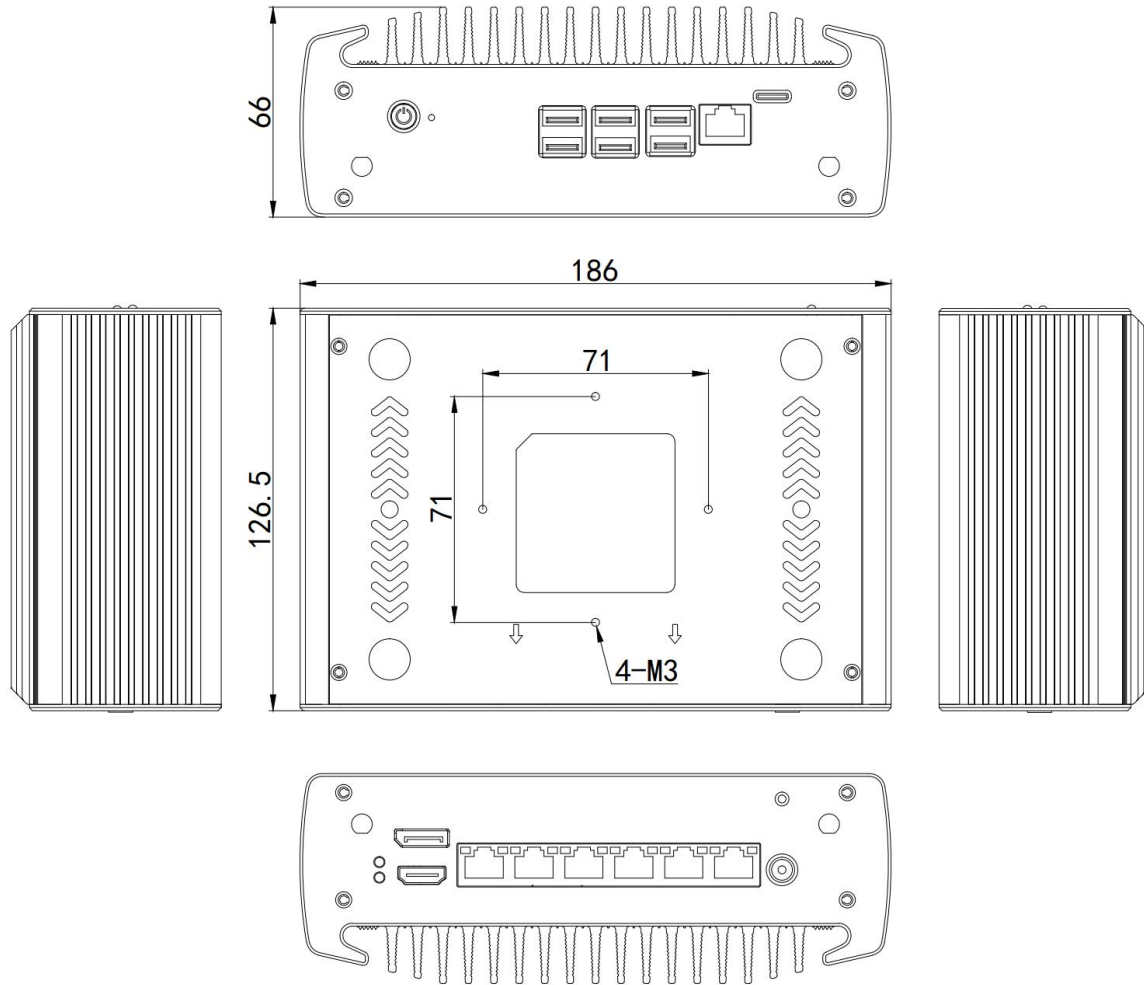
- ◇ All aluminum structure, Fanless design;
- ◇ Onboard Intel 10th Generation Core i5/i7;
- ◇ Support 6*Intel i225-V 2.5G(4*POE is optional);
- ◇ Support 1*M.2 3052 B-key, 5G modem is optional;
- ◇ Support 3*M.2 slots (Support WIFI and 4G or 5G) ;
- ◇ Support 2*DDR4 RAM Slot, Max Support 64G;
- ◇ Support TPM 2.0 security encryption;
- ◇ Applied O/S:



Specification

Model	Partaker C9
Color	Onboard Metal gray(color can be customized)
Material	High-quality all aluminum, Surface anodic oxidation
Processor	Onboard Intel Core i3 10110U(Dual core,4 threads,2.1GHz,Max.Turbo 4.1GHz) Onboard Intel Core i5 10210U(Quad core,8 threads,1.6GHz,Max.Turbo 4.2GHz) Onboard Intel Core i7 10810U(Six core,12 threads,1.1GHz,Max.Turbo 4.9GHz)
RAM	Support 2*DDR4 2666MHz SOIMM RAM slot,Max. 64GB
BIOS	AMI EFI BIOS
Display Chip	Integrated Intel UHD Graphics
Display Port	Support 1*DP,1*HDMI(Support synchronous/asynchronous dual display, DP interface resolution up to 4096*2160@60Hz)
Front I/O	Support 3*USB3.0, 3*USB2.0, 1*Power Switch, 1*RJ45 COM(Support Console)
Rear I/O	Support 6*RJ45 1000M LAN, 1*DC, 1*DP, 1*HDMI
Expansion	Support 1*M.2 2280 M-Key slot (Support SATA protocol and NVME protocol) Support 1*M.2 3052 B-Key slot (Support USB3.0 protocol,support 4G/5G) ,1* Nano-SIM slot on the plate Support 1*M.2 2230 E-Key slot(Support WIFI/Bluetooth)
Network	Support 6*intel i225-v 2.5G LANs, LAN 3-6 can be 802.3af standard POE LAN (optional)
Storage	Support 1*M.2, 1*2.5"SSD/HDD support RAID 0/1
Input Voltage	Support DC 12V Input
Other Function	Auto power on when there is electricity,Timing boot,Wake on LAN,PXE boot,Watchdog(0~255 level)
Work Temp	0℃ ~ +50℃(Commercial HDD), -20℃ ~ +50℃ ((Industrial SSD), Surface air flow
Work Humidity	0% ~ 95% non-condensing
Certificates	CE, CCC, FCC Class A, ROHS
Dimension	186 * 126.5 * 66 mm
Net Weight	1.3 kg
Application	Firewall, VPN, Network server, Network security, Router etc.

Partaker C9 Drawing



Accessory

Name	Quantity	Specification
Power Adapter	1	i3/i5 with 12V 5A i7 with 12V 7.5A
Power Cord	1	Any Plug Optional (China, US, EU, UK etc.)
VESA Bracket	1	Standard

Order Information

Configuration 1		Intel Core i3 10110U	Standard/2.5G LAN
Configuration 2	C9	Intel Core i5 10210U	Standard/2.5G LAN
Configuration 3		Intel Core i7 10810U	Standard/2.5G LAN

Remarks: 1. Since the 5G module requires four antennas, 2 WIFI holes on the panel need to be added to use WIFI and 5G at the same time;

2. The POE function needs to be equipped with a POE power supply module; please consult the pre-sales technical personnel for details.