

# Partaker B5

Intel® the 7<sup>th</sup> Generation Core™ processor  
Mini PC



## Features:

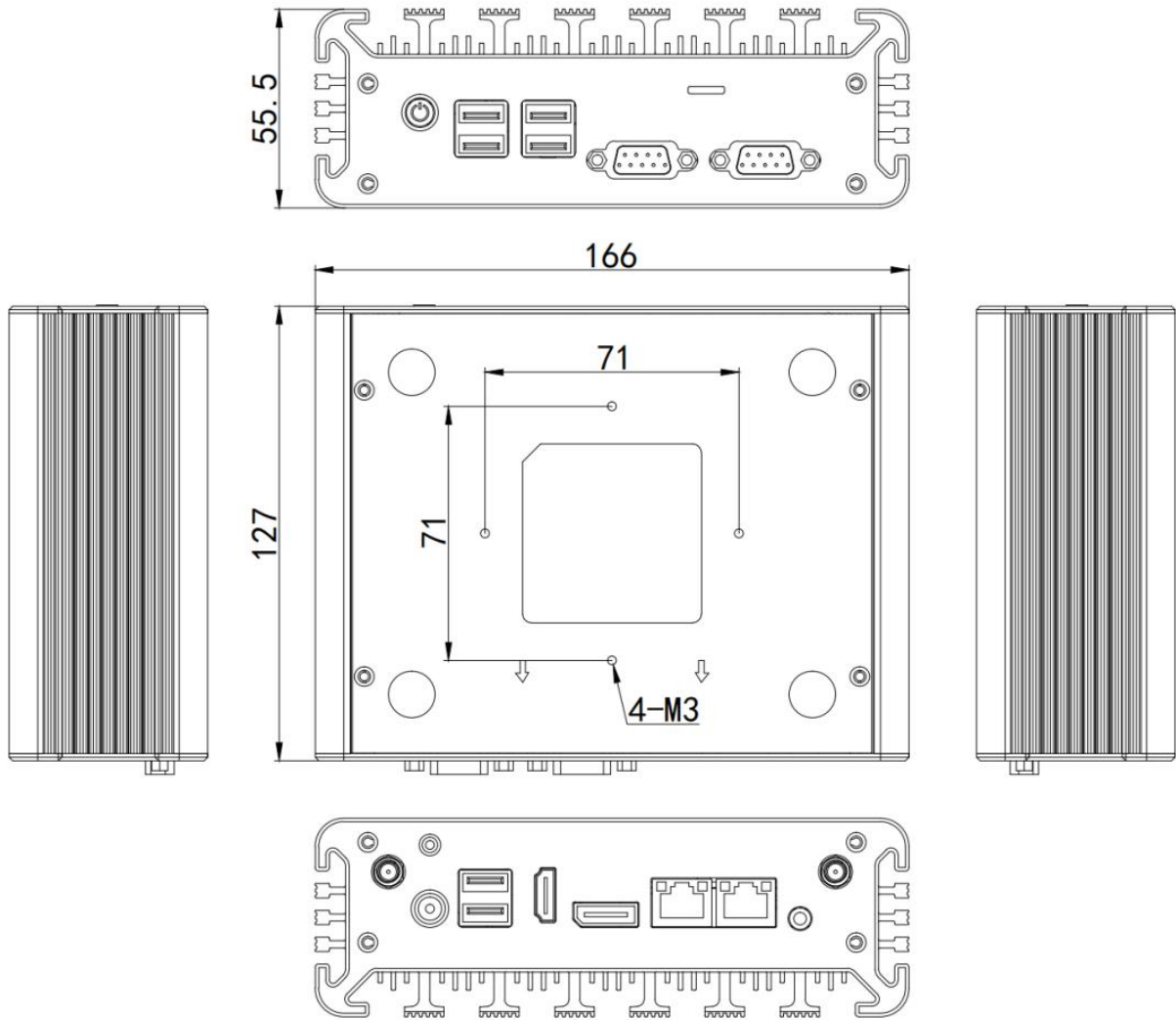
- ◇ All aluminum structure, fanless design;
- ◇ Onboard the 7<sup>th</sup> generation Intel® Core™ processor;
- ◇ Support 2\*Intel i225-V 2.5G LAN;
- ◇ Intel Iris Plus Graphics 640;
- ◇ Support TPM2.0 security encryption, Support Windows 11;
- ◇ Support 2\*COM (COM1, COM2 RS232 or RS485 mode Optional) ;
- ◇ Support DC 12V Input;
- ◇ Support OS:



## Specification

Model	Partaker B5
Color	Titanium Grey (Color can be customized)
Material	High-quality all aluminum, surface anodic oxidation
Processor	Onboard Intel Core i5 7360U (Dual core quad threads, 2.3GHz, Max turbo 3.6GHz)
RAM	Support 1*DDR4 2133 SODIMM RAM slot, Max support 32GB
BIOS	AMI EFI BIOS
Display Chip	Intel Iris Plus Graphics 640
Display Port	1*DP, 1*HDMI
Front I/O	2*COM (COM1, COM2 RS232 or RS485 mode Optional), 4*USB3.0, 1*Power Switch, 1*SIM slot
Rear I/O	1*DC, 2*USB2.0, 1*HDMI, 1*DP 1*Audio (Support Mic and Speaker at the same time), 2*Intel i225-V 2.5G LAN
Expansion Slot	Support 1*M.2 2280 M-Key slot (Support SATA protocol and NVME protocol) Support 1*MINI PCIE slot (WIFI/3G/4G Optional), SIM slot on front plate
Network	2*Intel i225-V 2.5G 1000/2500M LAN
Storage	Support 1*M.2 2280 slot, 1*2.5" HDD, Support RAID 0/1
Power Supply	Support DC 12V Input
Other Function	Auto power on when there is electricity, Timing boot, Wake on LAN, PXE boot, Watchdog (0~255 level)
Work Temp	0°C ~ +40°C (Commercial HDD), -20°C ~ +50°C (Industrial SSD), Surface air flow
Work Humidity	5% ~ 95% non-condensing
Dimension	166 * 127 * 55.5 mm
Net Weight	1.16 kg
Application	Industrial Automation, Medical, Logistics Transportation, Warehouse, Electronic Education etc.

## B5 Drawing



### Accessories List

Name	Quantity	Specification
Power Adapter	1	12V5A
Power Cord	1	Any Plug Optional (China, US, EU, UK etc.)
CD Driver	1	Neutral
VESA Bracket	1	Standard

### Order Information

Configuration 1    Nano B5    Intel Core i5 7360U    Standard Port